

Vivid Technologies V1 USB DAC HD AMP

Introduction

Thank you for purchasing the Vivid Technologies V1 USB DAC HD Amp. The Vivid Technologies V1 is a high definition USB headphone amplifier. This headphone amp can be used with either your computer or an audio device with line output. Since it is a compact and lightweight portable device with long lasting lithium Ion batteries it is especially suited to laptops and portable audio devices such as iPod.

Most laptop computers have a very poor quality headphone output jack. The Vivid Technologies V1 USB DAC AMP solves this problem by taking the pure digital out of your USB port and amplifying it with an audiophile quality headphone amp. It can drive almost any headphones very cleanly at high volume levels.

Features

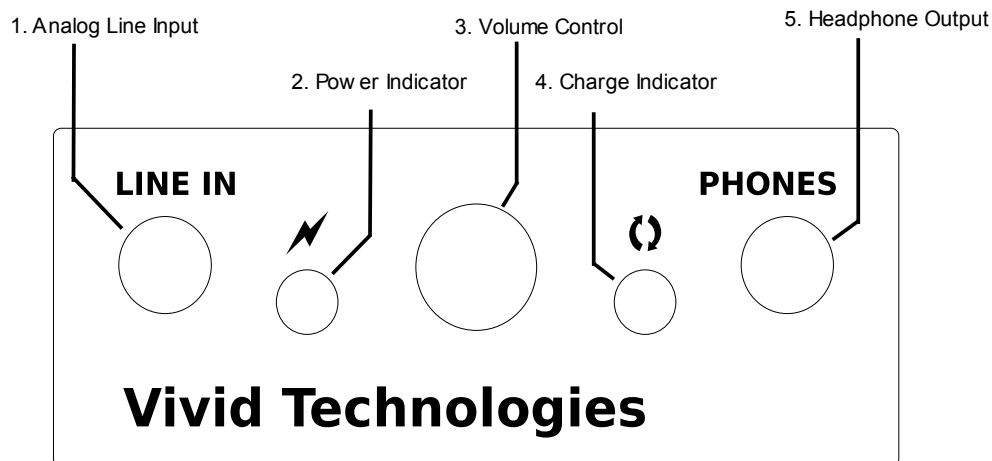
- ◆ High power operational amplifier
- ◆ Voltage boost technology
- ◆ Precision virtual ground reference
- ◆ USB DAC (16-bit; 32, 44.1, 48 kHz)
- ◆ Poly caps on input signal paths
- ◆ Ultra low impedance 1000 μ F electrolytic power supply caps
- ◆ 1% tolerance resistors
- ◆ Alps potentiometer with built-in ON/OFF switch
- ◆ Automatic switching between line in and USB port
- ◆ LED power and battery charging indicator
- ◆ Rechargeable lithium Ion battery pack (included)
- ◆ Battery charging via USB port
- ◆ Fast battery charging with AC adapter (optional)
- ◆ Solid aluminum volume knob
- ◆ Strong ABS case - 2.6"(66mm) x 2.6"(66mm) x 1.1"(28mm)

Unpacking

Please verify that your shipping carton contains the following items:

- ◆ V1 USB DAC HD AMP
- ◆ USB cable
- ◆ 3.5mm (1/8") mini to mini stereo cable
- ◆ Owners manual

Front Panel



1. Analog Line Input

Connect to your iPod, MP3 player, etc... Connect a mini to mini cable to the headphone output of your iPod or MP3 player or a line out adapter cable to the line out of your iPod. You can also connect the line out of your CD player, DVD player, AV receiver or any other device with a line out to this input.

2. Power Indicator

The power indicator lights blue when the power is turned on.

3. Volume Control / Power Switch

The volume control knob is also the power switch when you turn it fully counter clockwise the power is off. Turning the volume knob counterclockwise just before the power turns off sets minimum volume. Turning the volume knob fully clockwise sets maximum volume about 14dB.

Warning: This is a high power headphone amplifier and can cause hearing damage if turned up to loud. Always start with the volume at the minimum setting before plugging a device into the USB port or Analog line input. This will help ensure you don't get unexpected high volume levels that could damage your hearing.

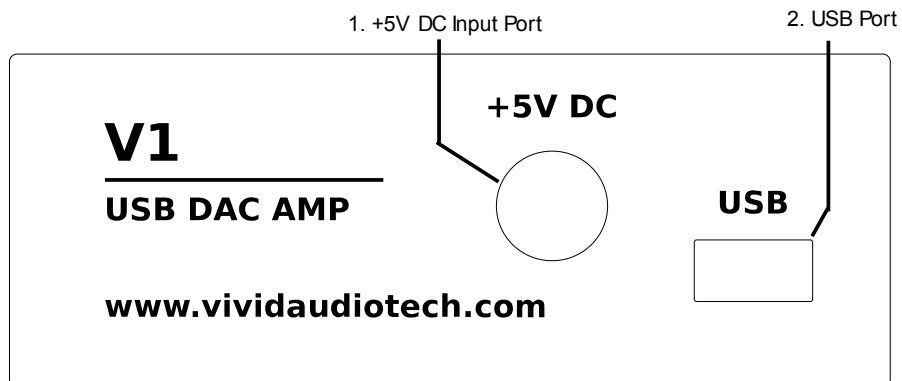
4. Charge Indicator

The charge indicator lights orange when the battery is being charged. If you plug in either the USB cable or fast charger and the LED does not light that means the battery is already charged. When the orange LED lights it means that battery is charging.

5. Headphone Output

This is where you connect your headphones or IEM's.

Rear Panel



1. +5V DC Input Port

The +5V DC port is the input connection for the optional fast charger. The fast charger is used to charge the V1 at 3x the speed of charging with the USB port. The fast charger can be purchased directly from the Vivid Technologies website.

2. USB port

Connect to your computers USB port using the supplied mini-USB cable. You can connect the port to any computer running Windows, Mac OS, or Linux operating systems. When there is nothing plugged into the Analog line input jack the USB port will be automatically selected.

Connecting to your Computer

Plug the V1 into your computers USB port using the supplied USB cable. If you are running one of the supported operating systems your computer should automatically recognize the device. You should restart any applications that are already running when plugging in the device to make sure they reset to the default audio device. Make sure there is nothing plugged into the Analog line input to select the USB port.

If you still don't get any sound after plugging in the V1 close all applications make sure "USB Audio DAC" is selected as the default audio device and reopen applications.

Supported operating systems:

Windows

- ◆ Windows 98 SE
- ◆ Windows 2000 Professional

- ◆ Windows XP Home/Professional
- ◆ Windows Vista

Mac OS

- ◆ Mac OS 9.1
- ◆ Mac OS X 10.0 (Cheetah)
- ◆ Mac OS X 10.1 (Puma)
- ◆ Mac OS X 10.2 (Jaguar)
- ◆ Mac OS X 10.3 (Panther)
- ◆ Mac OS X 10.4 (Tiger)
- ◆ Mac OS X 10.5 (Leopard)

Linux

- ◆ Fedora 7
- ◆ Fedora 8

Charging the Battery

The battery is charged either through the USB connection or with the optional fast charger. The V1 charges automatically when it is connected to a computer via the USB port. If the optional fast charger is plugged into the +5V port the V1 will charge at a rate 3 times faster than through the USB port. The V1 is charging when the orange charge indicator LED is on. When the charge indicator LED is off and either the USB or fast charger are plugged in the batteries are fully charged.

Warning: Use only the optional +5V DC center positive AC adapter from Vivid Technologies. Your batteries could explode if you use the wrong adapter.